

webertherm PR 1

Corner bead with glass fibre mesh for reinforcement and protection of all corner, edge and window and door opening edges in thermal insulating system – ETICS

Material:

- PVC resistant to alkali environment
- Glass fibre mesh not complying with ETAG 004

Features:

- Reinforcement of corners, edges and window and door reveals
- Corner protection against mechanical damage
- Prevents hair cracks
- Creation of ideally straight corners

Instruction for use:

Place the corner bead with glass fibre mesh into pre-applied mortar on the insulation layer. Place the bead onto the insulation layer corner, press into the mortar and level with spirit level. Then press the bead side mesh into the plaster. Remove and level the excess mortar outside the mesh with a trowel. Cover the whole bead with mesh with mortar.

Packaging, storage and transport:

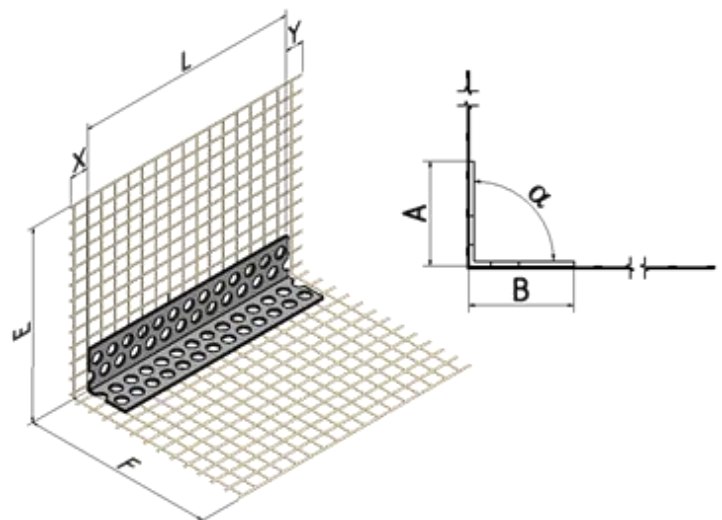
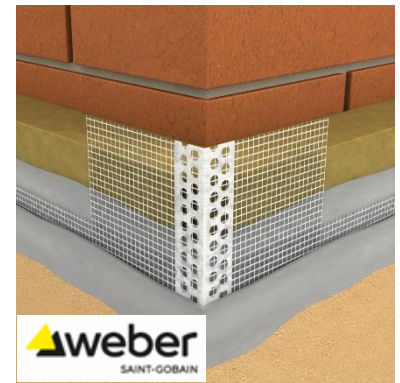
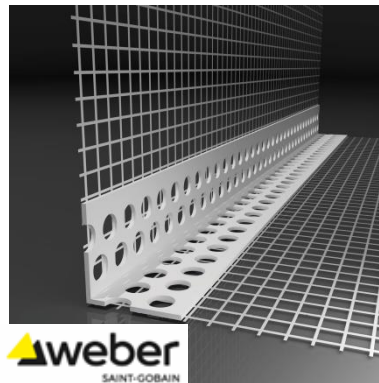
Packed in paper boxes. Store in a dry roofed place. Transport in horizontal position.

Certifications and marks:

The product is not subject to any harmonized standard.

Technical data:

	Dimensions [mm]
Bead length (L)	2500
Arm width (A x B)	22 x 22
Mesh width (E x F)	100 x 100
	80 x 120
	100 x 150
Overlap (X/Y)	5/60
Angle α [°]	88
Mesh fixation method	Gluing (continuous mesh around the plastic profile)



Issued on 20 August 2018.

This update invalidates all previous versions of this technical data sheet. The specified product dimensions are nominal and may range within the permitted manufacturing tolerances.