

webertherm PR8

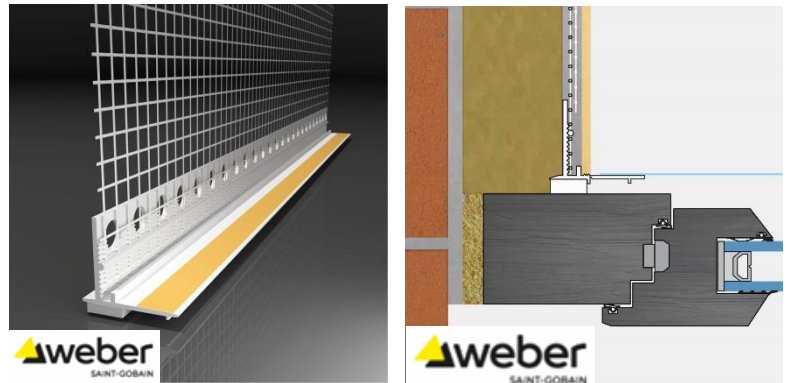
Window reveal bead with glass fibre mesh for elastic joining window or door frame with plaster in thermal insulation system – ETICS

Material:

- PVC - UV and alkali resistant
- Glass fibre mesh complying with ETAG 004
- Two-side adhesive PE foam tape with closed cells

Features:

- The fabric is welded to the profile - thermal joint
- Makes elastic joint between thermal insulation system and window or door frame
- Prevents plaster detachment from the window or door frame
- Protects window and door frames and panes against mechanical damage or soiling in the course of mortar or plaster application
- Prevents hair cracks
- Prevents cold penetration
- Eliminates the need for additional joint filling
- Ideal for narrow window or door frames
- Also usable for colour frames - the bead is all covered with plaster
- The raised rear edge with special comb ending prevents cracks in the place of connection of the plaster to the bead
- Aesthetically perfect detail



Instruction for use:

First remove the protective foil from the window frame and clean potential impurities or grease. Trim the bead with special mitre cutters to the required length, remove the cover foil from the foam tape and glue to the frame. Take into account that the adhesive achieves full adhesion only after 24 hours. Air and surface temperatures during application must be between +5 °C and +30 °C. The bead may be glued onto the window or door frame before or after insulation application on the door or window reveal. Connect the beads in the window corners at 45°. After removal of the cover tape cover the break off strip with protective film. The foil will protect the window or door from damage throughout plastering. Then apply the plaster on the insulating layer and press the mesh of the bead into it. Remove and level the excess plaster outside the mesh with a trowel. After finishing coat application, break off the break strip of the bead and remove it including the window protective foil. The operating temperature range is -30 °C to +80 °C.

Packaging, storage and transport:

Packed in paper boxes. Store in a dry roofed place. Transport in horizontal position.

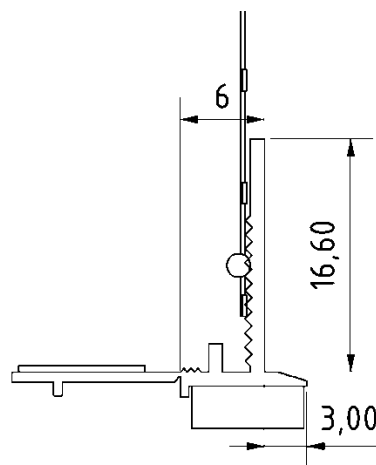
Certifications and marks:

The product is not subject to any harmonized standard. The product was voluntarily certified at TZÚS Praha, s.p., The product holds certificate No. 060-046640.



Technical data:

Bead length [mm]	1400, 1600, 2400
Foam tape size (w x h) [mm]	8 x 3
Mesh width [mm]	100
Other bead dimensions [mm]	See diagram
Mesh fixation method	welding with plastic rod (absolutely inert to alkali and temperature changes)



Issued on 20.8.2020.

This update invalidates all previous versions of this technical data sheet. The specified product dimensions are nominal and may range within the permitted manufacturing tolerances.